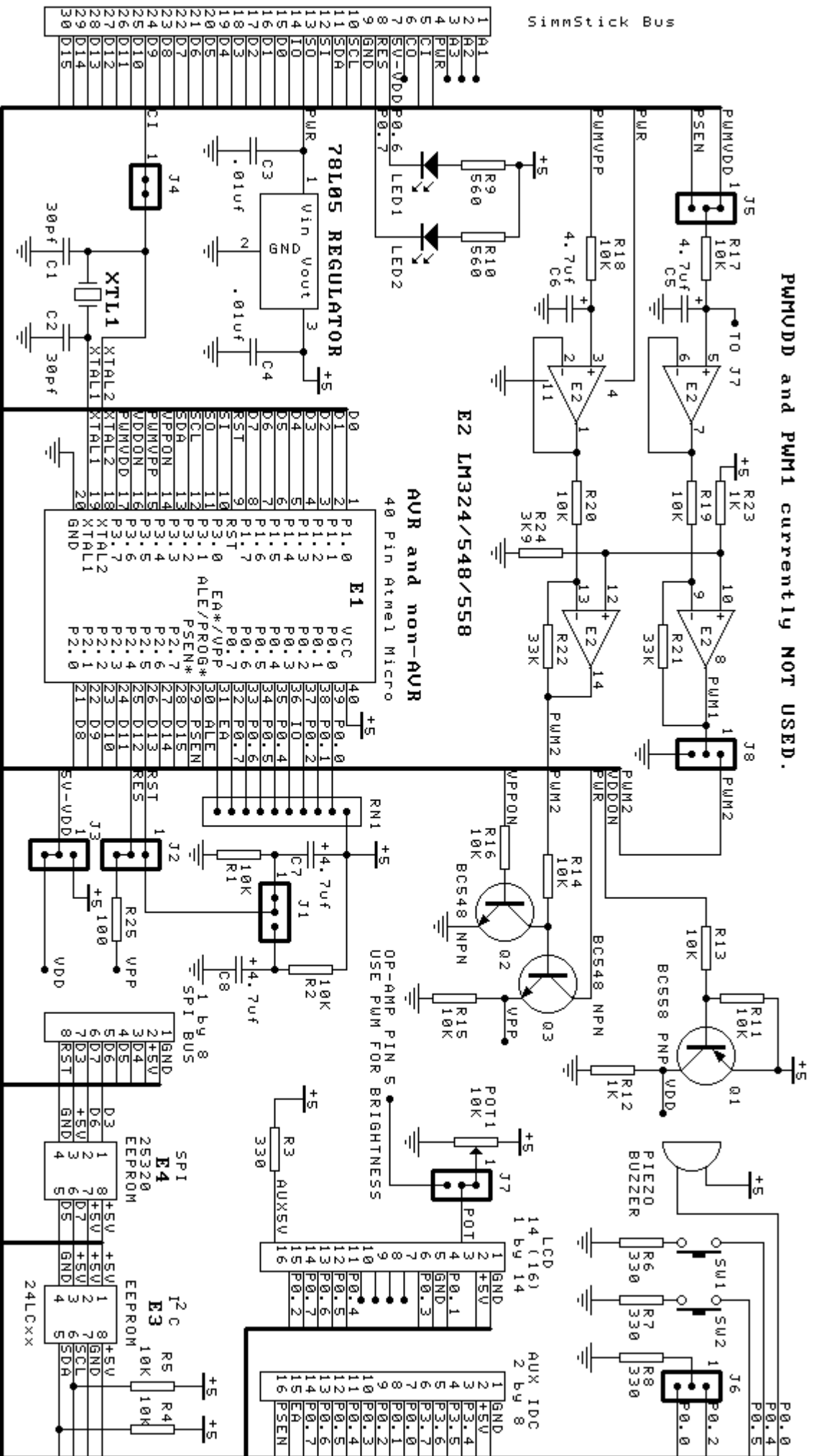


PWMUDD and PWM1 currently NOT USED.



### Programmer or Target board.

RN1 10 pin, 9 by 10K Resistor Network Pullups to Pins 31 to 39 of CPU

Sistudio-DonTronics 1997 Copyright

Title		DT103 Rev. A	
Size	Number	Revision	
A4	Simstick ATME1 40 Pin	A	
Date:	19-JUL 1997	Sheet 1	of 1
File:	DT103R/1	Drawn By:	Don Mck